



Wind Energy Center

# Challenges of Large Scale Deployment of Wind Power

## Session Introduction

J. F. Manwell

NAWEA Inaugural Meeting

August 8, 2010

University of Massachusetts 



Is it possible to supply a large fraction of the continent's energy from wind?

- History shows that a large fraction of the world's mechanical and transportation energy once came from the wind, so it is clearly possible!



*Naval battle of Trafalgar, 1805*



*Water pumper, US, c. 1870*



# The Industrial Revolution...

- Coal/oil convenient than wind →
- Use of wind energy dropped precipitously with the rise of fossil fuels
  - But: fossil fuels are finite, difficult to extract, are often found in inhospitable places, and release CO<sub>2</sub> !



*Strip mining for coal*

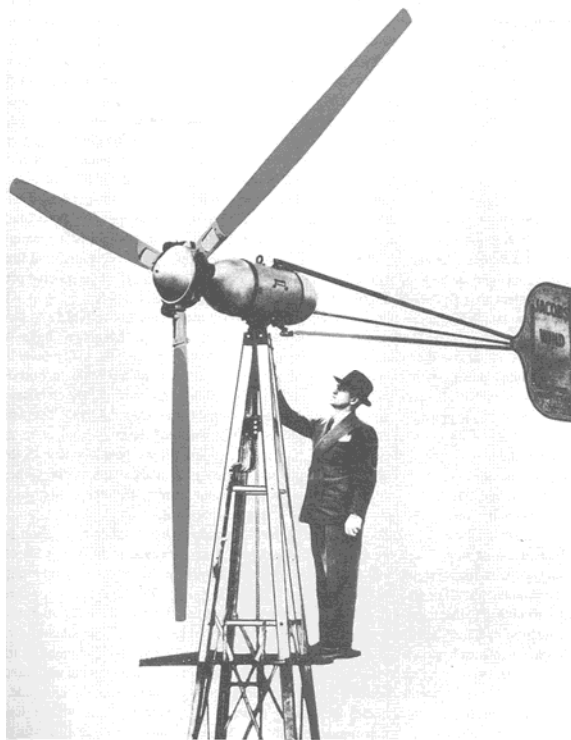
*Burning oil pipeline, Iraq*





# Age of Electrification

- Dominant energy for prime movers was coal, etc.
- Wind turbines emerged but % contribution small



*Jacobs windcharger, 1930s*



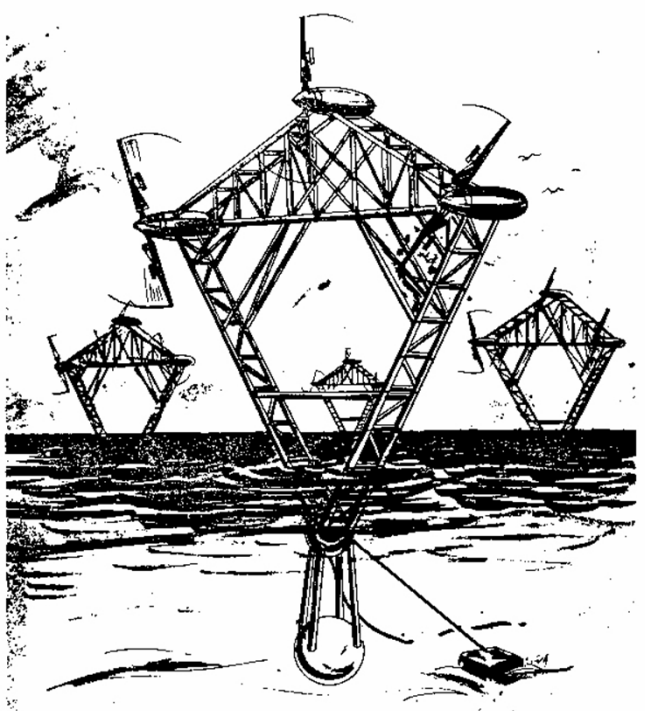
*Smith-Putnam turbine, 1940s*



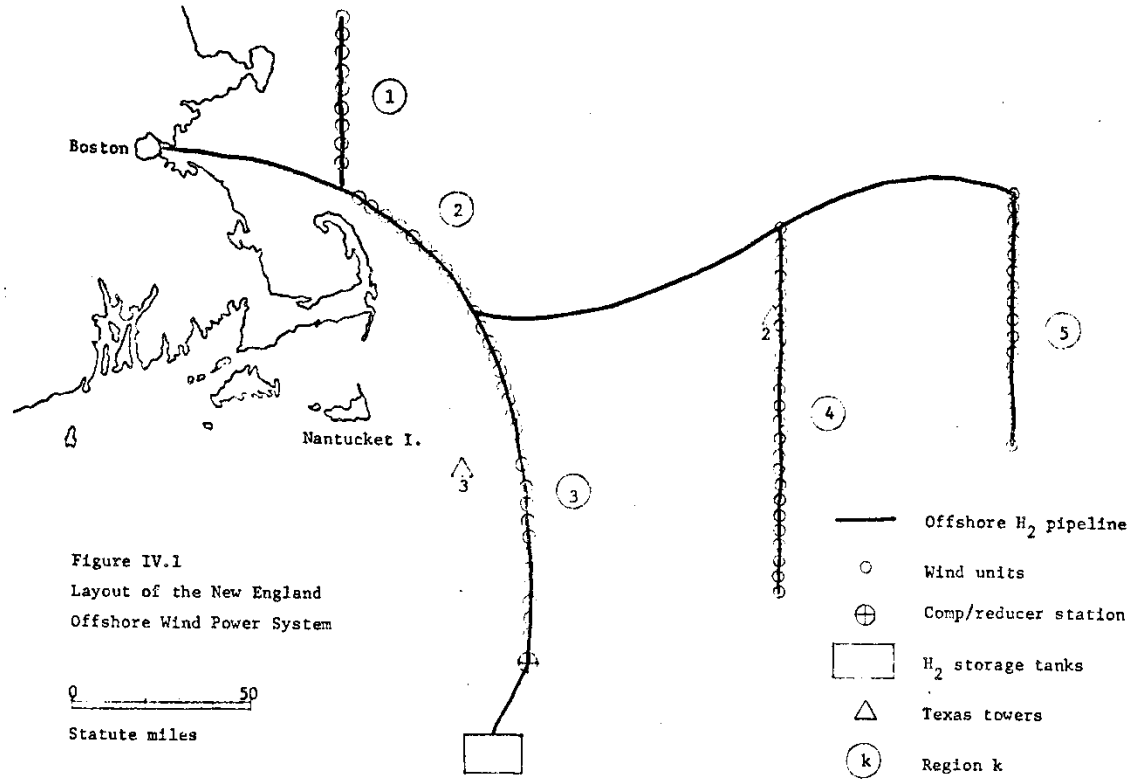
Wind Energy Center

# An Early Vision of Large Scale Utilization of Wind Energy

- Offshore wind and the hydrogen economy



POLLUTION-FREE ENERGY FROM OFFSHORE WINDS



First detailed offshore wind concepts, UMass, 1972



# Wind Electricity Reborn

- Technical advances on many fronts facilitate new types of wind turbines



*UMass WF-1, 1976*



*US Windpower, c. 1980*





# Wind Energy Today

- Turbines are commercial: much larger, more sophisticated, more reliable
- They generate significant amounts of electricity, but still small compared to continent's total energy
- Mostly operate as “fuel savers”
- How much more can wind do?



*Hull (MA) Wind I, 2002*



# Wind/Diesel Systems: Precedent for High Penetration Wind Energy

- Diesel generators, wind turbines, load management, intelligent supervisory control, short term energy storage, thermal energy
- 50% of fuel savings is good target!



*Selawik, AK wind/diesel system, 2009*



University of Massachusetts 





## Even Higher Penetration Levels?

- How high can we go? What would it take?
- Wide-spread deployment of turbines
- Wind turbines for wide range of applications
- Resolution of interconnection/load matching issues on large scale
- Integration with solar electric?
- Storage?
- Fuel production? ( $H_2$ ,  $NH_3$ , hydrogenated biomass...)



## Questions Remain in Many Areas...

- Wind energy system science and engineering
- Grid integration and management
- Atmospheric sciences
- Environmental issues
- Market barriers
- Social acceptance
- Policy research
- Business and financial
- Interdisciplinary topics
- New topics: storage? fuels?



# Some Technology Options

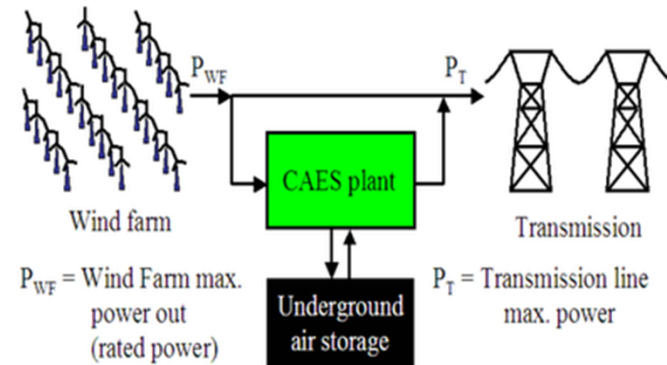


*Floating Offshore Wind*

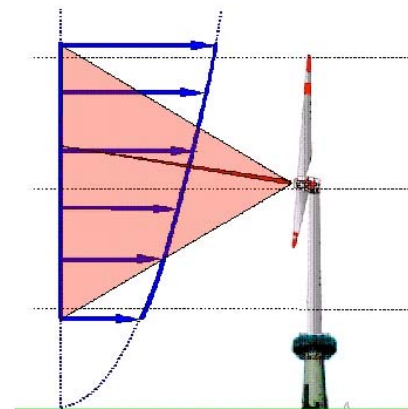


*Hydrogen Powered Bus*

A wind/CAES model



*Compressed Air Energy Storage*



*LIDAR integrated control*



# Can We Answer the Questions?

- Why not?
- It is the intent of NAWEA to make it happen!
- This session →
  - Need for NAWEA
  - DOE's vision for R&D and education
  - Industry perspective
  - Offshore wind power challenges
  - Grid integration
  - Policy, integration and transmission